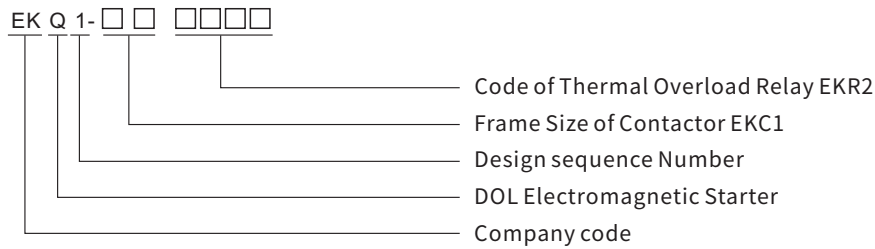




### Technical Data

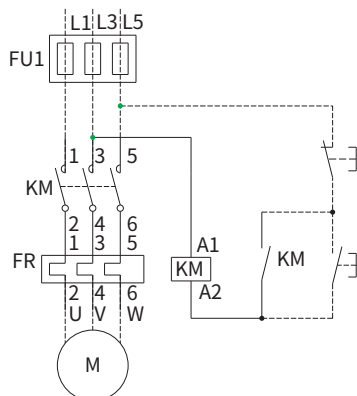
**Description** EKQ1 series electromagnetic starter ("starter" for short hereinafter) applies mainly to circuit with AC current of 50Hz (or 60Hz), rated operational voltage of 660V and rated controlled power up to 45kW (current up to 95A) for using to control the direct start and halt of the electromotor to protect the motor from overload and phase failure.

### Type Designation

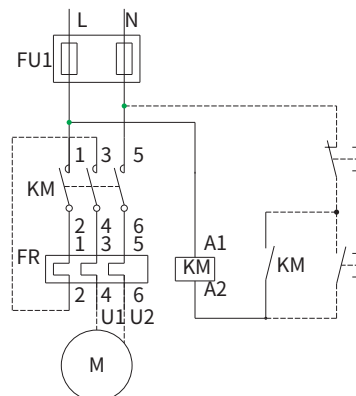


- Feature**
- 3-phase bimetal
  - Continuously readjustable current settings
  - Temperature compensation
  - Tripping indicator
  - Test button
  - Stop button
  - Manual and automatic reset button
  - Electrically separated 1N/O plus 1N/C contact

### Wiring Diagram



Control supply voltage is as the same as the main circuit voltage (three-phase)



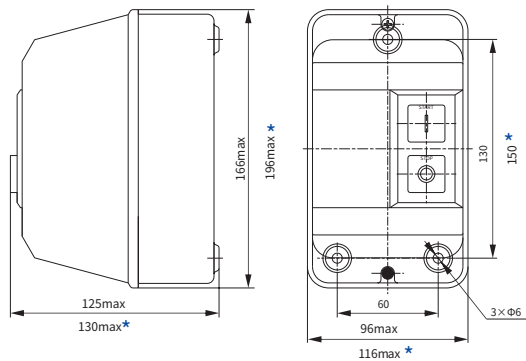
Control supply voltage is as the same as the main circuit voltage (single-phase)

### Basic Model and main technical parameter of the starter

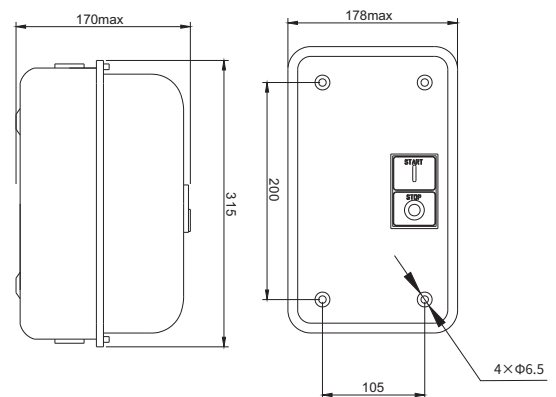
Model	Range of setting current A	Current (A)	Maximum rated Power (kW)			Model of equipped AC contactor	TOR matched
			AC-3				
			600V	380V	220V		
EKQ1-09/1301	0.1~0.16	9	5.5	4	2.2	EKC1-09	EKR2-13
EKQ1-09/1302	0.16~0.25						
EKQ1-09/1303	0.25~0.4						
EKQ1-09/1304	0.4~0.63						
EKQ1-09/1305	0.63~1						
EKQ1-09/1306	1~1.6						
EKQ1-09/1307	1.6~2.5						
EKQ1-09/1308	2.5~4						
EKQ1-09/1310	4~6						
EKQ1-09/1312	5.5~8						
EKQ1-09/1314	7~10	18	10	7.5	4	EKC1-18	EKR2-13
EKQ1-18/1314	7~10						
EKQ1-18/1316	9~13						
EKQ1-18/1321	12~18	25	15	11	5.5	EKC1-25	EKR2-13
EKQ1-25/1321	12~18						
EKQ1-25/1322	17~25	32	18.5	15	7.5	EKC1-32	EKR2-23
EKQ1-32/2353	23~32						
EKQ1-40/3355	30~40	40	30	18.5	11	EKC1-40	EKR2-33
EKQ1-50/3357	37~50	50	33	22	15	EKC1-50	EKR2-33
EKQ1-65/3359	48~65	65	37	30	18.5	EKC1-65	EKR2-33
EKQ1-80/3361	55~70	80	45	37	22	EKC1-80	EKR2-33
EKQ1-80/3363	63~80						
EKQ1-95/3365	80~93	95	45	45	25	EKC1-95	EKR2-33

### Overall and Installation Dimension(mm)

EKQ1-09~32(Steel base + Plastic cover)



EKQ1-40~95(Steel base + Steel cover)



Note: Dimension with \* for EKQ1-25~32